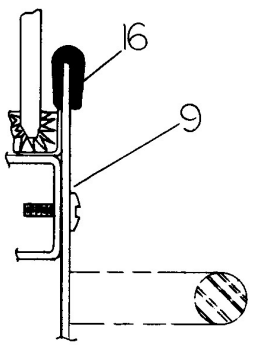
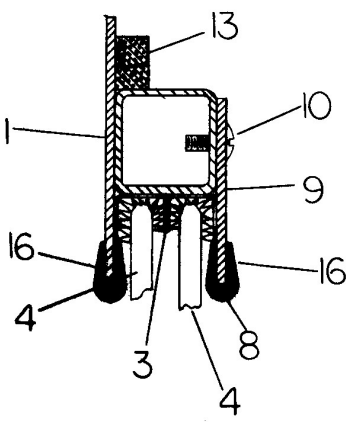
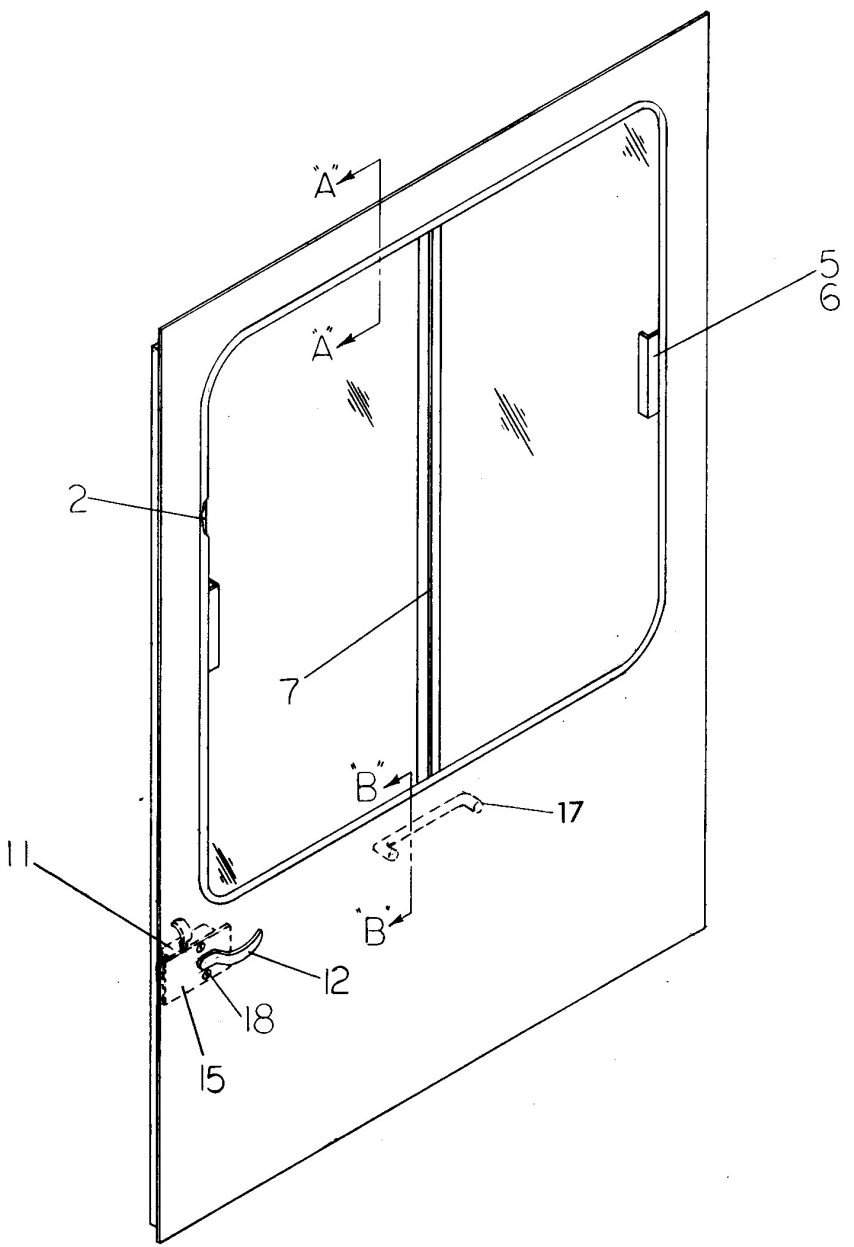


Manitowoc Crane Group



SECT. "B-B"
SCALE 1:1



SECT. "A-A"
SCALE 1:1

2160400004

9 160 4 00004

(SHEET 1 OF 1)

36XXe 34